



# C15 ACERT™ Industrial Power Unit

Tier 4 Interim/Stage IIIB  
354-433 bkW/475-580 bhp @ 1800-2100 rpm

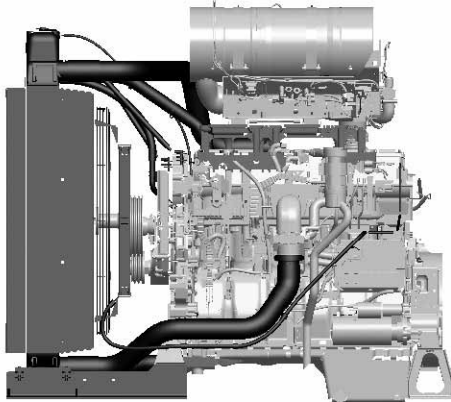


Image shown may not reflect actual power unit configuration

## CAT® ENGINE SPECIFICATIONS

### I-6, 4-Stroke-Cycle Diesel

Bore	137 mm (5.39 in)
Stroke	171 mm (6.73 in)
Displacement	15.2 L (927.6 in <sup>3</sup> )
Aspiration	Turbocharged Aftercooled
Compression Ratio	17.0:1
Combustion System	Direct Injection
Rotation (from flywheel end)	Counterclockwise
Capacity for Liquids	
Cooling System	26.9 L (28.4 U.S. qts)
Lube System (refill)*	38-72 L (40.76 U.S. qts)
Package Weight, Net Dry (approximate)	2113 kg (4658 lbs)

\*Capable of up to 500-hour oil change interval, dependent on oil pan size, rating, application, operating conditions, and maintenance practices.

## FEATURES

### Emissions

Designed to meet 2011 EPA (U.S.) Tier 4 Interim and EU Stage IIIB emissions requirements. Also expected to meet Japanese MLIT emissions requirements once available.

### Reliable, Quiet, and Durable Power

World-class manufacturing capability and processes coupled with proven core engine designs assure reliability, quiet operation, and many hours of productive life.

### High Performance

Simple and efficient turbocharger with balance valve provides optimal air management and improved fuel efficiency.

### Fuel Efficiency

Fuel consumption optimized to match operating cycles of a wide range of equipment and applications.

### Fuel & Oil

Tier 4 Interim/Stage IIIB engines require Ultra Low Sulfur Diesel (ULSD) fuel containing a maximum of 15 ppm sulfur, and new oil formulations to support the new technology. Cat® engines are designed to accommodate B20 biofuel. Your Cat dealer can provide more information regarding fuel and oil.

### Broad Application Range

Industry leading range of factory configurable ratings and options for agricultural, materials-handling, construction, mining, forestry, waste, and other industrial applications.

### Package

Exceptional power density enables standardization across numerous applications. Available factory-installed configurations: full package, including radiator and Clean Emissions Module (CEM); package with CEM, but no radiator; and package with radiator, but no CEM.

### Low-Cost Maintenance

Worldwide service delivers ease of maintenance and simplifies the servicing routine. Minimum 5000-hour diesel particulate filter ash service interval enables low-cost maintenance. Capable of optimal oil change intervals of up to 500 hours, depending on rating, application, operating conditions, and maintenance practices. The S•O•S<sup>SM</sup> program is available from your Cat dealer to determine oil change intervals and provide optimal performance.

### Quality

Every Cat engine is manufactured to stringent standards in order to assure customer satisfaction.

### World-class Product Support Offered Through Global Cat Dealer Network

- Scheduled maintenance, including S•O•S<sup>SM</sup> sample
- Customer Support Agreements (CSA)
- Cat Extended Service Coverage (ESC)
- Superior dealer service network
- Extended dealer service network through the Cat Industrial Service Distributor (ISD) program

**Web Site: For additional information on all your power requirements, visit [www.cat-industrial.com](http://www.cat-industrial.com).**



# C15 ACERT™ Industrial Power Unit

Tier 4 Interim/Stage IIIB  
354-433 bkW/475-580 bhp @ 1800-2100 rpm

## STANDARD ENGINE EQUIPMENT

### Air Inlet System

Turbocharged Air-to-Air Aftercooled

### Control System

Electronic control system, over-foam wiring harness, automatic altitude compensation, power compensated for fuel temperature, configurable software features, engine monitoring system SAE J1939 broadcast and control, integrated Electronic Control Unit (ECU)

### Cooling System

Vertical outlet thermostat housing, centrifugal water pump, guidance on cooling system design available to ensure machine reliability

### Exhaust System

CEM that includes Diesel Particulate Filter (DPF), Diesel Oxidation Catalyst (DOC), and Cat Regeneration System

### Flywheels and Flywheel Housing

SAE 0 and SAE 1 flywheel housing

### Fuel System

MEUI injection; primary fuel filter, secondary fuel filters, fuel transfer pump, electronic fuel priming

### Lube System

Open crankcase ventilation system, oil cooler, oil filler, oil filter, oil dipstick, oil pump (gear driven), choice of sumps (front, rear, and center)

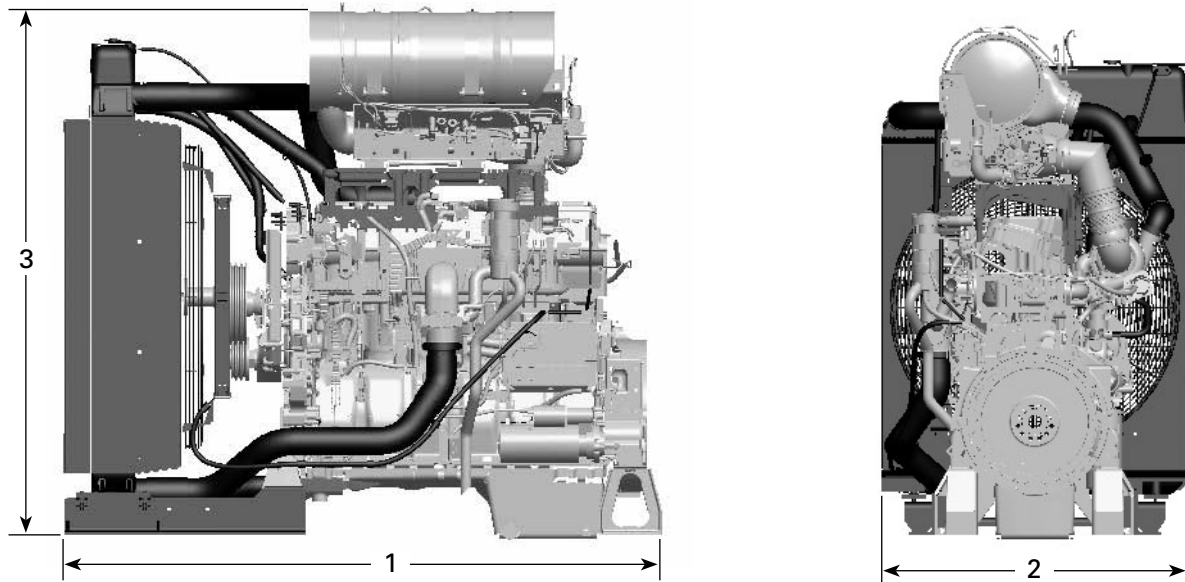
### Power Take Off

SAE A, SAE B, SAE C drives available, engine power can also be taken from the front of the engine on some applications

### General

Paint: Cat yellow; vibration damper; lifting eyes

## DIMENSIONS



(1) Length — 2172 mm (85.5 in)

(2) Width — 1180 mm (46.5 in)

(3) Height — 1912 mm (75.3 in)

**Note:** Final dimensions dependent on selected options

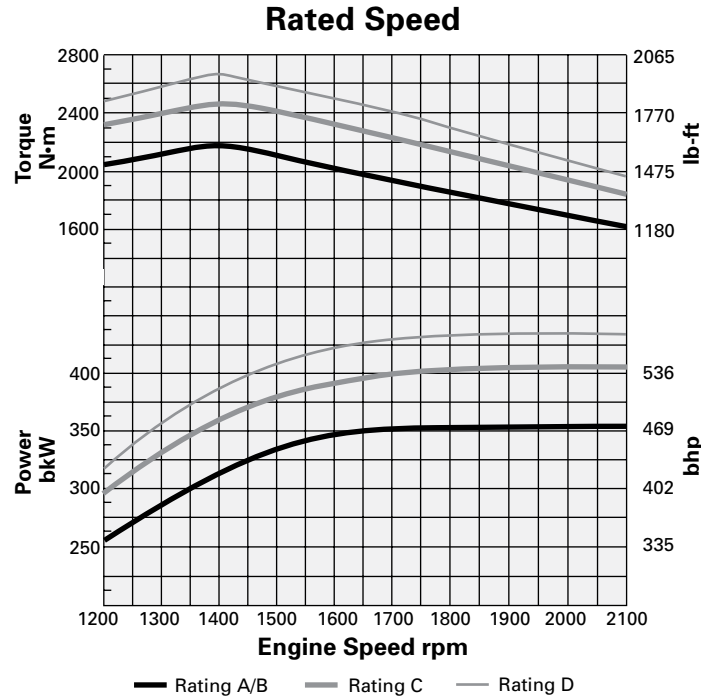


# C15 ACERT™ Industrial Power Unit

Tier 4 Interim/Stage IIIB  
354-433 bkW/475-580 bhp @ 1800-2100 rpm

## PERFORMANCE DATA — PRELIMINARY

Turbocharged Aftercooled — 1800-2100 rpm



### Speed Range

Rating	Speed rpm	Peak Power bkW	Peak Power bhp	Speed rpm	Peak Torque N·m	Peak Torque lb-ft
A*	2100	354	475	1400	2174	1604
B	2100	354	475	1400	2174	1604
C	2100	403	540	1400	2472	1823
D	2100	433	580	1400	2655	1958

\*Altitude-limited

## RATING DEFINITIONS AND CONDITIONS

**IND-A (Continuous)** for heavy duty service where the engine is operated at maximum power and speed up to 100% of the time without interruption or load cycling.

**IND-B** for service where power and/or speed are cyclic (time at full load not to exceed 80%).

**IND-C (Intermittent)** is the horsepower and speed capability of the engine where maximum power and/or speed are cyclic (time at full load not to exceed 50%).

**IND-D** for service where maximum power is required for periodic overloads.

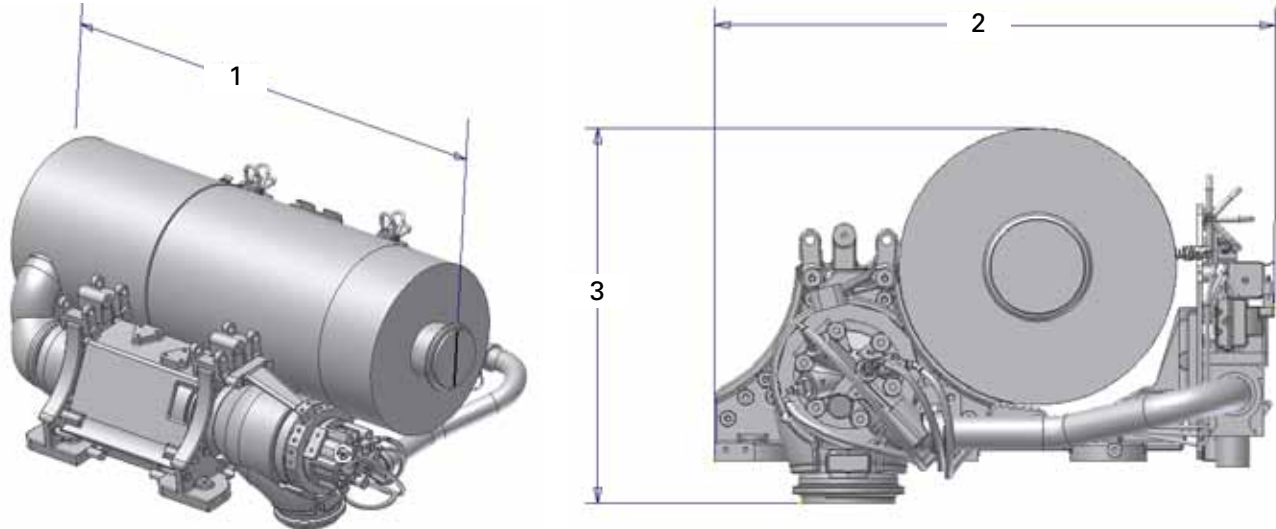
**Rating Conditions** are based on SAE J1995, inlet air standard conditions of 99 kPa (29.31 in Hg) dry barometer and 25°C (77°F) temperature. Performance measured using a standard fuel with fuel gravity of 35° API having a lower heating value of 42 780 kJ/kg (18,390 btu/lb) when used at 29°C (84.2°F) with a density of 838.9 g/L.



# C15 ACERT™ Industrial Power Unit

Tier 4 Interim/Stage IIIB  
354-433 kW/475-580 bhp @ 1800-2100 rpm

## AFTERTREATMENT CONFIGURATION



Images shown may not reflect actual aftertreatment.

### 330.2 mm (13 in) DIAMETER BASE CONFIGURATION SHOWN

#### Approximate Size and Weight

(1) Length — 1053 mm (41.5 in)  
(2) Width — 779.8 mm (30.7 in)  
(3) Height — 451.3 mm (17.8 in)  
Weight — 180 kg (397 lbs)

### CEM Options

Base configuration includes DPF, DOC, and supporting structure

Standard configuration is also available, which includes DPF, DOC, muffler, and supporting structure. Contact your Cat dealer for additional information.

## AFTERTREATMENT FEATURES

**Regeneration:** Cat Regeneration System maximizes fuel efficiency during regeneration

**Flexibility:** Flexible regen options maximize uptime

**Service:** Minimum 5000-hour diesel particulate filter ash service interval

Available in 12V or 24V systems

## STANDARD EMISSIONS CONTROL EQUIPMENT

Cat Regeneration System

**CEM:** Clean Emissions Module

**DOC:** Diesel Oxidation Catalyst

**DPF:** Diesel Particulate Filter

**NRS:** NOx Reduction System

Materials and specifications are subject to change without notice. The International System of Units (SI) is used in this publication. CAT, CATERPILLAR, their respective logos, ACERT, S•O•S, "Caterpillar Yellow" and the "Power Edge" trade dress, as well as corporate and product identity used herein, are trademarks of Caterpillar and may not be used without permission.