



## Weather Protective and Sound Attenuated Enclosures D40-2LC to D60-4LC

Picture shown may not represent actual package

### Features

#### Highly Corrosion Resistant construction

- Stainless steel flush fitting latches and hinges tested and proven to withstand extreme conditions of corrosion
- Zinc plated or stainless steel fasteners
- Body constructed from 16 gauge steel components treated with polyester powder coating

#### Excellent Access

- Single side access for service and controls
- Over head door with lift assist strut on service side
- All non-service sides have removable doors and/or panels
- Radiator fill access
- Lube oil and coolant drains piped to the exterior of the enclosure base
- Large cable entry area for installation ease

#### Transportability

- These enclosures are of extremely rugged construction to withstand outdoor exposure and rough handling common on many construction sites.
- This range of enclosures are designed on modular principles which will aid on site repair

#### Security and Safety

- Lockable access doors which give full access to control panel and breaker
- Cooling fan and battery charging alternator fully guarded
- Fuel fill, oil fill, and battery can only be reached via lockable access
- Stub-up area is rodent proof
- Externally mounted emergency stop button

#### Options

- Weather Protective Enclosure
- Sound Attenuated Enclosure – Weather protective with critical silencer
- Cat Yellow or white paint
- UL Listed fuel tanks



### Enclosure Sound Pressure Levels (SPL) at 100%

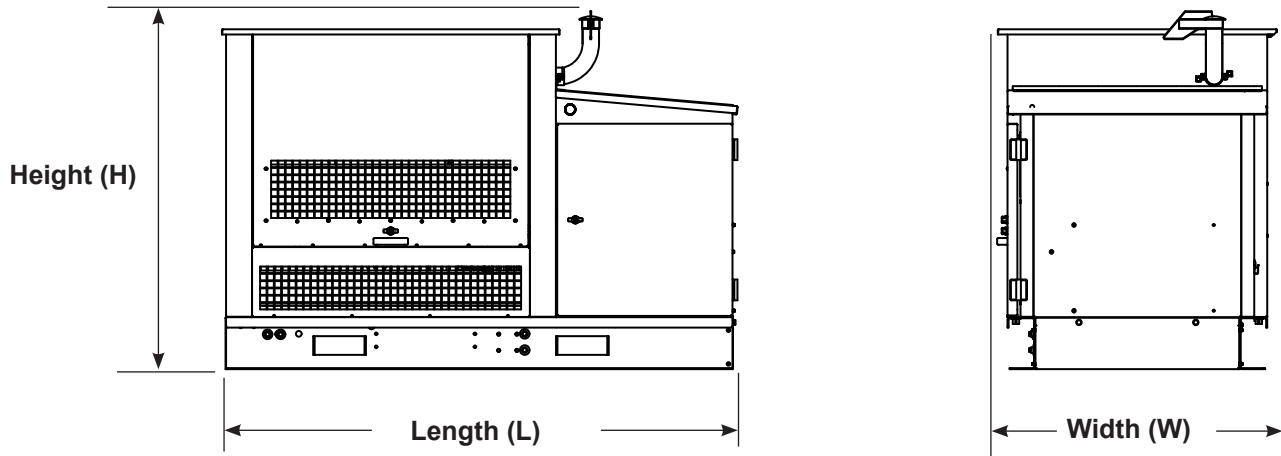
Sound Attenuated Enclosure		Cooling Air Flow Rate		SPL @ 7m (23ft)
Model	Standby eKW	m <sup>3</sup> /s	cfm	dBA
D40-2LC	40	1.7	3602	74
D50-2LC	50	1.7	3602	74
D60-4LC	60	1.9	4026	74

Weather Protective Enclosure		Cooling Air Flow Rate		SPL @ 7m (23ft)
Model	Standby eKW	m <sup>3</sup> /s	cfm	dBA
D40-2LC	40	1.7	3602	85
D50-2LC	50	1.7	3602	86
D60-4LC	60	1.9	4026	88

### Component Weights to Calculate Package Weight

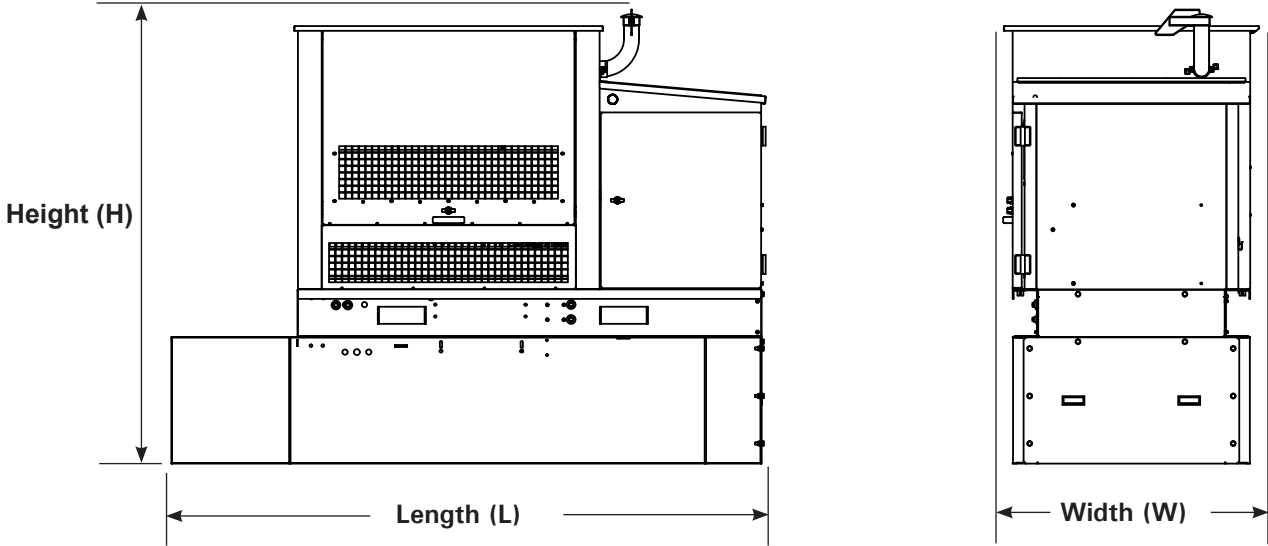
Model	Standby eKW	Skid Base		Weather Protective Enclosure		Sound Attenuated Enclosure	
		kg	lb	kg	lb	kg	lb
D40-2LC	40	80	176	121	267	137	302
D50-2LC	50						
D60-4LC	60						

### Enclosure Dimensions on Skid Bases



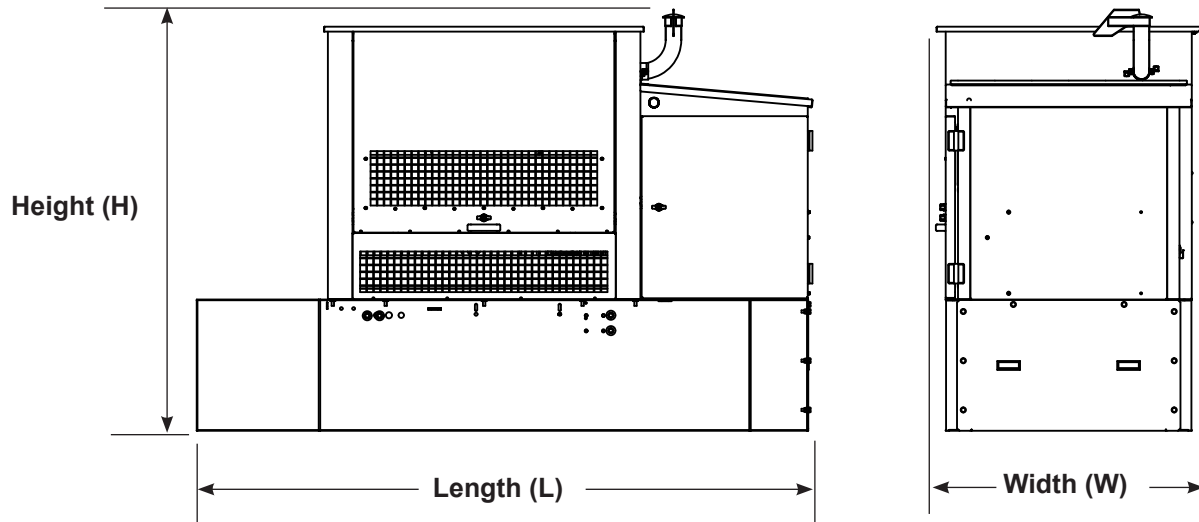
Engine Model	Generator Set Rating eKW	Enclosure	Width 'W'		Length 'L'		Height 'H'	
			mm	in	mm	in	mm	in
C4.4	40	Weather Protective/ Sound Attenuated	1075	42.3	1972	77.6	1378	54.3
	50							
	60							

### Enclosure Dimensions on UL Listed Sub Base Tanks



Engine Model	Generator Set Rating kW	Enclosure	137 Gallon Sub Base Tank				255 Gallon Sub Base Tank			
			Length 'L'		Height 'H'		Length 'L'		Height 'H'	
			mm	in	mm	in	mm	in	mm	in
C4.4	40	Weather Protective/ Sound Attenuated	2503	98.5	1912	75.3	2503	98.5	2241	88.2
	50									
	60									

### Enclosure Dimensions on UL Listed Integral Tanks



Engine Model	Generator Set Rating kW	Enclosure	137 Gallon Integral Tank				255 Gallon Integral Tank			
			Length 'L'		Height 'H'		Length 'L'		Height 'H'	
			mm	in	mm	in	mm	in	mm	in
C4.4	40	Weather Protective/ Sound Attenuated	2503	98.5	1712	67.4	2503	98.5	2041	80.4
	50									
	60									

[www.Cat-ElectricPower.com](http://www.Cat-ElectricPower.com)  
 ©2016 Caterpillar  
 All rights reserved.

Materials and specifications are subject to change without notice.  
 CAT, CATERPILLAR, their respective logos, "Caterpillar Yellow" the "Power Edge" trade dress, as well as corporate and product identity used herein, are trademarks of Caterpillar and may not be used without permission.