



Image shown may not reflect actual configuration

Cat® EMCP 4.4 SCP

Supervisory Control Panel for Enhanced Load Add/Shed

For use with EMCP 4.4 Generator Set Control (GSC) Panels

Caterpillar is leading the power generation marketplace with power solutions engineered to deliver unmatched performance, reliability, durability, and cost-effectiveness.

General Description

The EMCP 4.4 SCP is a wall-mountable, NEMA 1 (IP10) shipped-loose control panel which adds 16-stage load add and load shed functionality to an EMCP 4.4 island mode system (non-utility paralleling).

Worldwide Product Support

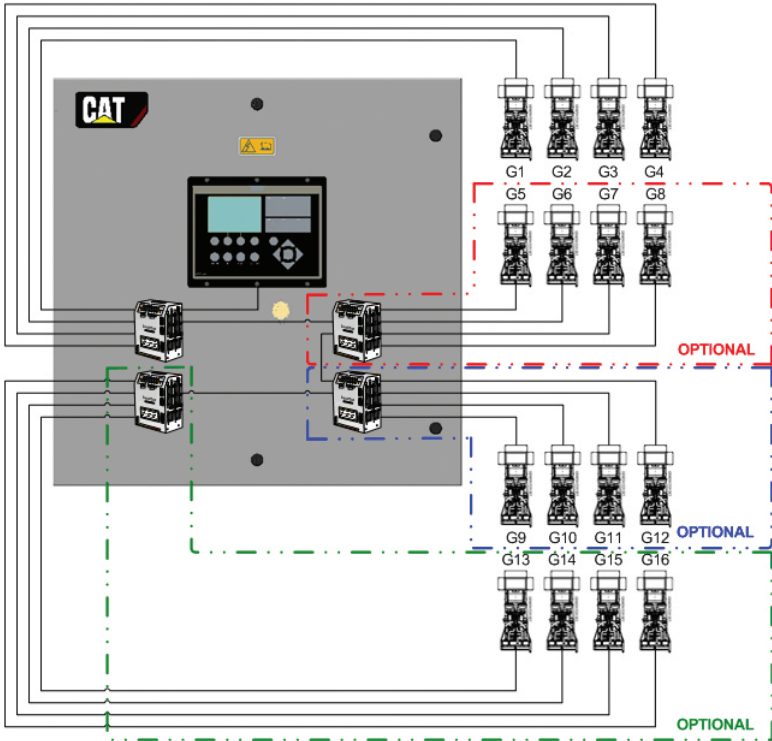
- Cat dealers provide extensive pre- and post-sale support
- Cat dealers have over 1800 dealer branch stores operating in 200 countries

Features

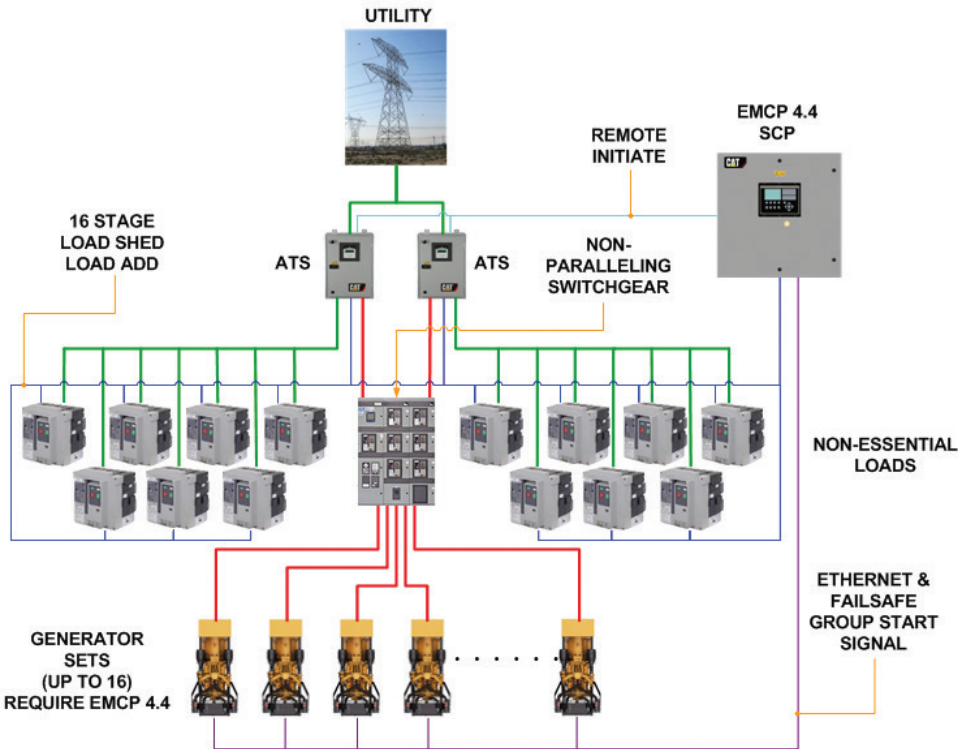
- Design and functionality based on the proven reliability and serviceability of the EMCP 4.4 generator set controller
- Supports Multiple Generator Set Data Link (MGDL) paralleling
- Single-point monitoring of a non-utility paralleling generator set system with EMCP 4.4 generator set controllers
- Load add and load shed capability for 16 stages based on ratings of the steps and/or based on the ratings of the availability of real and reactive power
- Load shed and load add stages independent of the number of system or online generator sets
- Programmable descriptions, priorities, capacity, and time delays for each load step

- Manual load shed and load add capability
- System initiate via discrete contact or engine control switch
- Failsafe mode to minimize the disruption of power to loads in the event of a loss of communications
- 500 event status log that is time/date based and contains load step events
- System event log
- Best battery diode system
- Industrial ethernet switch (10/100 base T)
- 7-day/7-cycle system exerciser
- Fuel transfer control
- System monitoring display includes load step display, total kW display, and generator set status display
- Load bus control screen displays current and next load add or load shed step
- Load bus overview display includes
 - Status of each load step
 - Actual load (real and reactive) on each generator
 - Capacity (real and reactive) on each generator
- Generator set status display includes
 - ECS position
 - Alarm count
 - Shutdown count
 - kW and kVAr (% & value)
 - Breaker position
 - Engine hours
 - Load Sense Load Demand (LSLD) status
 - Generator and bus status

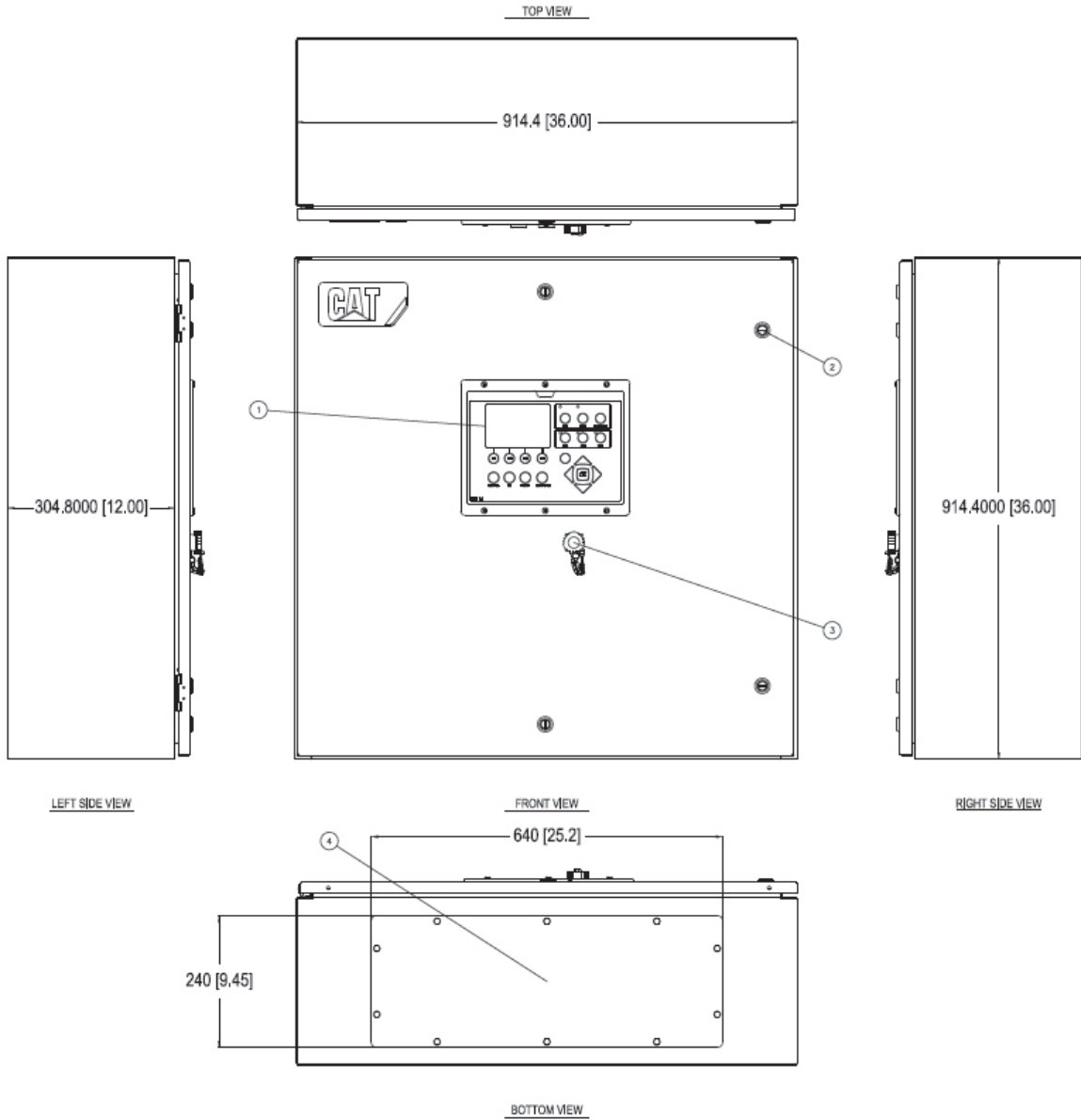
Single EMCP 4.4 SCP with 16 Generator Sets and Ethernet Switches



System One-Line Diagram (sample)



Dimensions



www.Cat-ElectricPower.com
©2015 Caterpillar
All rights reserved.

Materials and specifications are subject to change without notice. CAT, CATERPILLAR, their respective logos, "Caterpillar Yellow", the "Power Edge" trade dress as well as corporate and product identity used herein, are trademarks of Caterpillar and may not be used without permission.